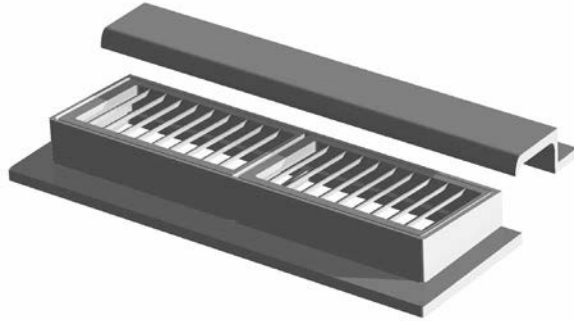


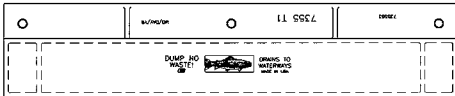
7355 CATCH BASIN CURB INLET

Heavy duty
 Multiple 7350 curb inlet with Type M3 grate
 Approximate 424 sq. in. open area
 Specify I-beam if required

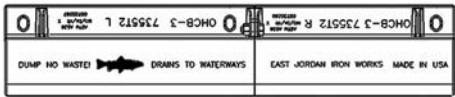
Options
 2 piece back available
 Grates — Uses 7350 grates



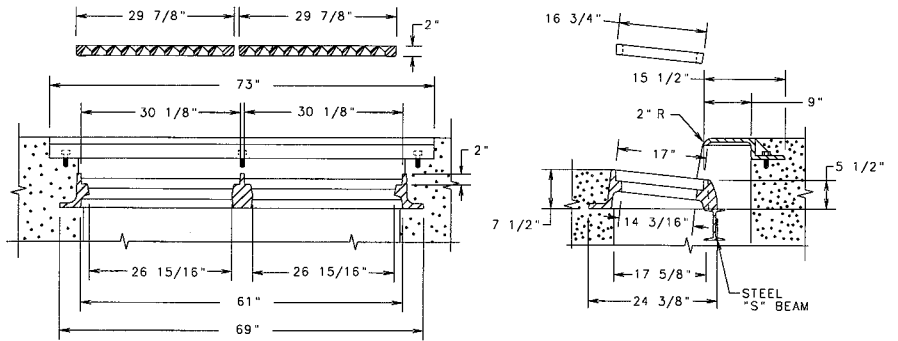
Type M2 Grate
 Approx. 195 sq. in.
 open area



7355 T1 Back
 "DUMP NO WASTE!" lettering and fish image



7355 T2 Back
 "DUMP NO WASTE!" lettering and fish image



7358 CATCH BASIN CURB INLET

Heavy duty
 Multiple 7350 curb inlet with 7355 back
 Frame is 2 pieces, bolted together with
 Type M2 diagonal bar grate
 Accepts 7350 grates
 Approximate 390 sq. in. open area
 Back is 2 pieces, bolted together
 Specify I-beam if required

